

DISCOVERER INDIA

ULTRA-DEEPWATER DUAL-ACTIVITY DRILLSHIP



For additional information please contact:

Transocean
Marketing Department
1414 Enclave Parkway
Houston, TX 77077, USA
Phone: + 1-713-232-7500
Fax: + 1-713-232-7880
marketing@deepwater.com
www.deepwater.com

General Description

Design / Generation	Transocean Offshore Enhanced Enterprise Class
Constructing Shipyard	DSME, South Korea
Year Entered Service / Significant Upgrades	2010
Classification	DNV, 1A1
Flag	Marshall Islands
Dimensions	835 ft. (254 m) x 125 ft. (38 m) x 62 ft. (18.8 m) Deep
Drafts	40 ft. (12 m) operating / 28 ft. (8.5 m) Transit
Accommodation	220 persons
Displacement	99,405 st (90,178. mt) operating
Variable Deck	22,046 st (19,999.7 mt) operating / 22,046 st (19,999.7 mt) transit
Transit Speed	up to 12 knots
Maximum Water Depth	12,000 ft.(3,657.6 m) designed / 10,000 ft.(3,048 m) Outfitted
Maximum Drilling Depth	40,000 ft (12,192 m)

Drilling Equipment

Derrick	NOV Dual Activity Derrick, 220ft. (67 m) high, with 80 ft. (24.3 m) x, 80 ft. (24.3 m) base.
Hookload Capacity	(Main) 1,250 st (1,134 mt). capacity (Aux) 1,250 st (1,134 mt) capacity
Drawworks	(Main): NOV Active Heave Drawworks with 6 x General Electric GEB-22A2 motors rated at 6,900 total hp. 1,050 st (952.5 mt) rated hook load with 2" drill line. (Aux): NOV Active Heave Drawworks with 6 x General Electric GEB-22A2 motors rated at 6,900 total hp. 1,050 st (952.5 mt) rated hook load with 2" drill line.
Compensator	(Main) In drawworks, active heave compensation (Aux) In drawworks, active heave compensation.
Rotary Table	(Main) 1 x 75-1/2" opening 1,375 st (1,247 mt) rated. (Aux) 1 x 60-1/2" opening 1000sti rated.
Top Drive	(Main) 2 x Aker Maritime Hydraulics MDDM rated at 1,250 st (1,134 mt) motor, rated to 101,200 ft.-lbs. continuous drilling torque in low gear (Aux) Same as above.
Tubular Handling	2 x NOV PRS_5 pipe racking system, complete with pipe conveyer, PLS-5 Pipe Laydown System, and 2 x AR4500 Iron Roughnecks. Set up for offline stand building.
Riser Feed	NOV Conveyer Riser Handling System (RHS). 75 ft (22.8 m) long x nominal 21" HMF-G Riser Equipment for 10,000 ft. (3,048 m) water depth.
Mud Pumps	4 x National 14-P-220 triplex pumps, each driven by 2 x AC 1,230 hp traction motors.
HP Mud System	Rated for 7,500 psi
Solids Control	6 x Axiom AX-1 shale shakers

Power & Machinery

Main Power	6 x STX-MAN-B&W 14V32/40 diesel engines rated at 6,720 kW, each driving 1 x LDW-SSE 6,520 kW generator
Emergency Power	1 x STX-MAN-B&W 7L27/38 diesel engine rated 2,310 kW, driving 1 x Hyundai 2,234 kW generator.
Power Distribution	Siemens 11kV switchboards; with Siemens Blue variable speed drives generator protection.

Storage Capacities

Fuel Oil	32,594 bbl (5,182 m3)
Liquid Mud	7,890 bbl Active (1,254 m3) / 11,568 Reserve (1839 m3) / 560 bbl Processing (89 m3)
Base Oil	11,095 bbl (1,764 m3)
Brine	11,095 bbl (1,764 m3)
Drill Water	12,283 bbl (1,952 m3)
Potable Water	7,500 bbl (1,192 m3)
Bulk Material	(mud + cement) 32,000 cu.ft. (906 m3)
Sack Storage	16,000 sacks

BOP & Subsea Equipment

BOP Rams	1 x Hydril 18-3/4" 15,000 psi 6-ram preventer. (3 x compact dual ram)
BOP Annulars	Hydril Dual Annuflex 18-3/4" 10,000 psi annular preventer.
BOP Handling	BOP skid system comprised of 3 x 375 st (340 mt) BOP carts; 3 x 100 st (90.7 mt) Xmas Tree/Auxiliary carts; 2 x sets of spider beams rated to 350 st (317.5 mt) per set
Marine Riser	Vetco HMF 21" OD. Riser joints that average 75 ft. (22.8 m) long per joint.
Tensioners	6 x NOV N-line Tensioning System, rated at 400 st (362.8 mt) each and with a stroke of 50 ft. (15.2 m)
Diverter	Vetco CSO diverter with an opening of 72" and a rated pressure of 500 psi and 2 x 16" flow lines.
Tree Handling	3 x 100 st (90.7 mt) Xmas tree skid carts;
Moonpool	80 ft. (24.3 m) length x 30 ft. (9.1 m) width.

Station Keeping / Propulsion System

Thrusters	6 x Rolls Royce Aquamaster 5,500 kW fully azimuthing thrusters.
DP System	Kongsberg triple redundant SDP-32 Dynamic Positioning System. DP Class 3 rating.

Cranes

Cranes	4 x NOV Knuckle Boom cranes rated for 110 st (100 mt) and a lift radius of 148 ft. (45.1 m)
---------------	---

Other Information

Helideck	Rated for Sikorsky S-61 or Chinook 234 helicopters
Other	(1) BOP Acoustic Backup Control System, (2) Managed Pressure Drilling (MPD) Ready

Revision Date: 14 July 2022

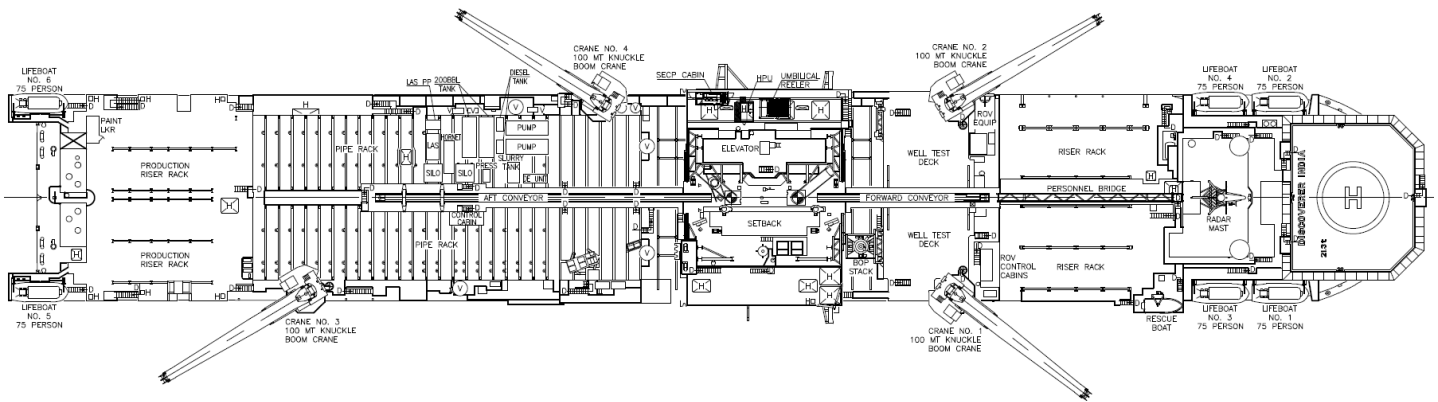
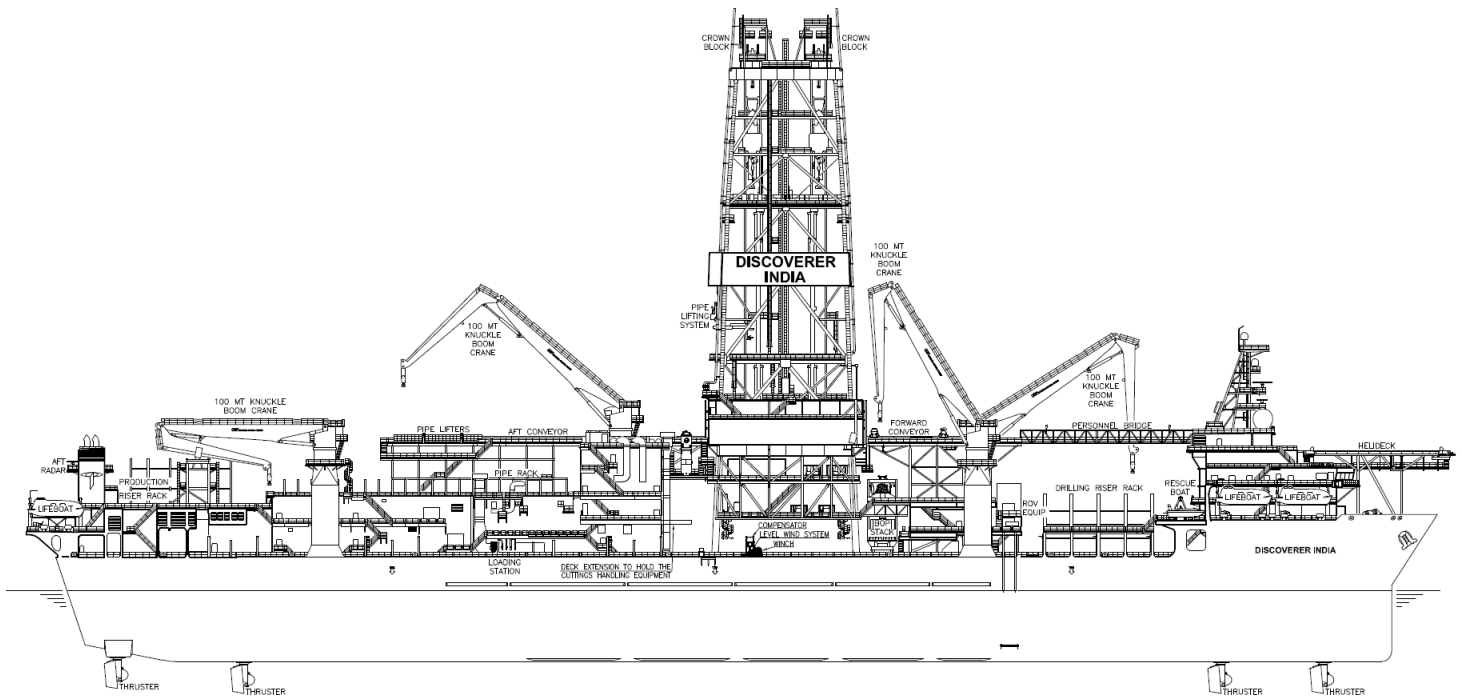


These specifications are intended for general reference purposes only, as actual equipment and specifications may vary based upon subsequent changes, the contract situation and customer needs. All equipment shall be operated and maintained at all times, in compliance with Transocean standard operating manuals, policies and procedures, and within its stated operational limits or continuous rated capacity, in order to assure maximum operational efficiency.

Patent Notice: This rig, its systems, components, and/or equipment in use on this rig, may be protected by one or more US and/or foreign patents.

DISCOVERER INDIA

ULTRA-DEEPWATER DUAL-ACTIVITY DRILLSHIP



BOUNDLESS

**SERVICE FOCUSED
DATA DRIVEN
PERFORMANCE ORIENTED**

Revision Date: 14 July 2022



These specifications are intended for general reference purposes only, as actual equipment and specifications may vary based upon subsequent changes, the contract situation and customer needs. All equipment shall be operated and maintained at all times, in compliance with Transocean standard operating manuals, policies and procedures, and within its stated operational limits or continuous rated capacity, in order to assure maximum operational efficiency.

Patent Notice: This rig, its systems, components, and/or equipment in use on this rig, may be protected by one or more US and/or foreign patents.